

1

2

3

4

A

A

B

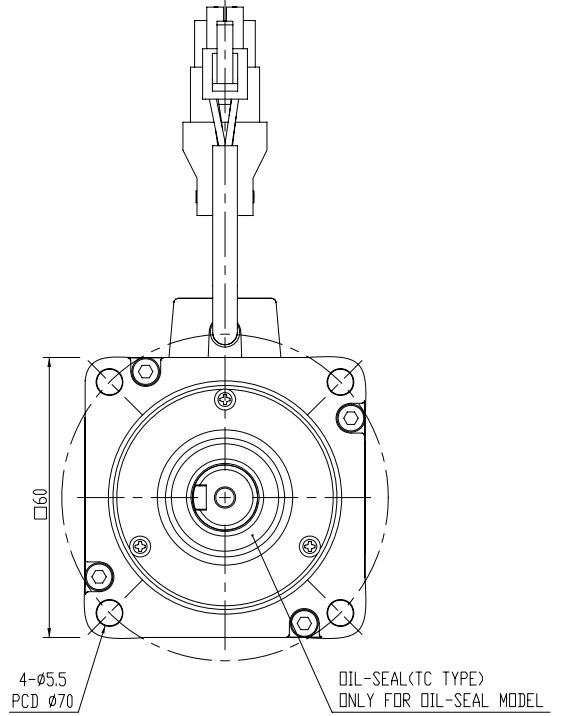
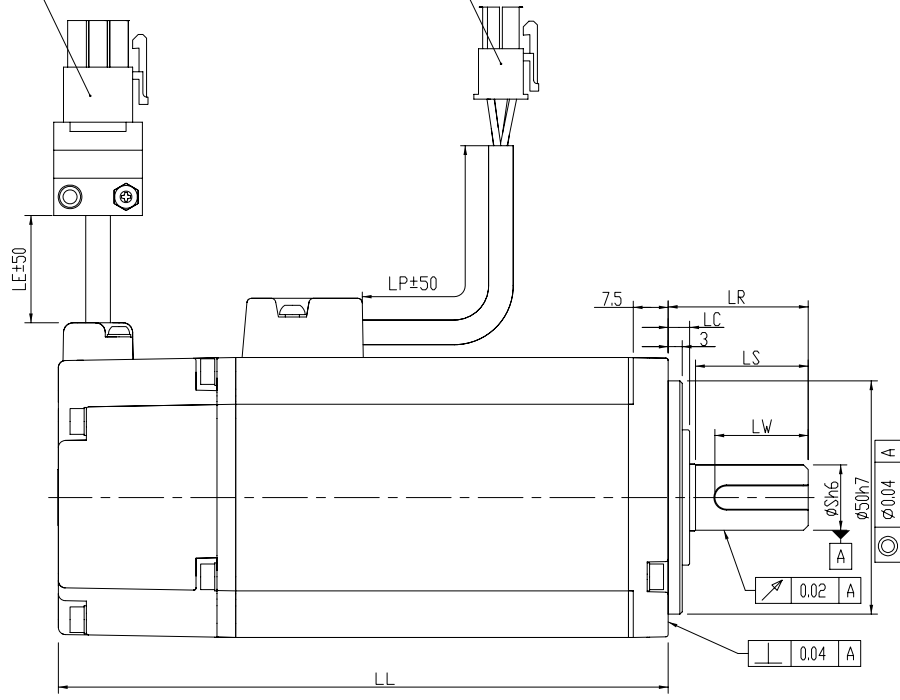
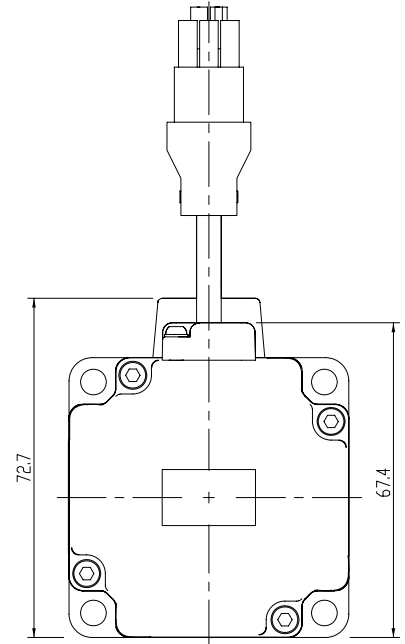
B

C

C

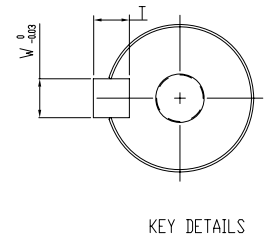
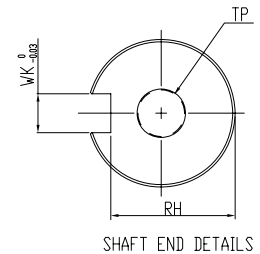
ENCODER CONNECTOR
AMP 1-172169-9

MOTOR CONNECTOR
C4202H00-2X2P



DIMENSION TABLE (MODEL WITHOUT BRAKE)

MODEL	LL	LR	LS	LC	S	LW	WK	W	T	RH	TP	LP	LE
ECMA-C□0602AS	105.5	30	27.0	—	14	—	—	—	—	—	M4, Depth 15	300	300
ECMA-C□0602CS			27.0	4.6							M4, Depth 15		
ECMA-C□0602ES			27.0	—									
ECMA-C□0602GS			24.0	4.6									
ECMA-C□0604AS	130.7	30	27.0	—	14	—	—	—	—	—	M4, Depth 15	300	300
ECMA-C□0604CS			24.0	4.6							M4, Depth 15		
ECMA-C□0604ES			27.0	—									
ECMA-C□0604GS			24.0	4.6									
ECMA-C□0604PS			27.0	—									



北京微度科技发展有限公司 <http://www.wedotech.cn/>

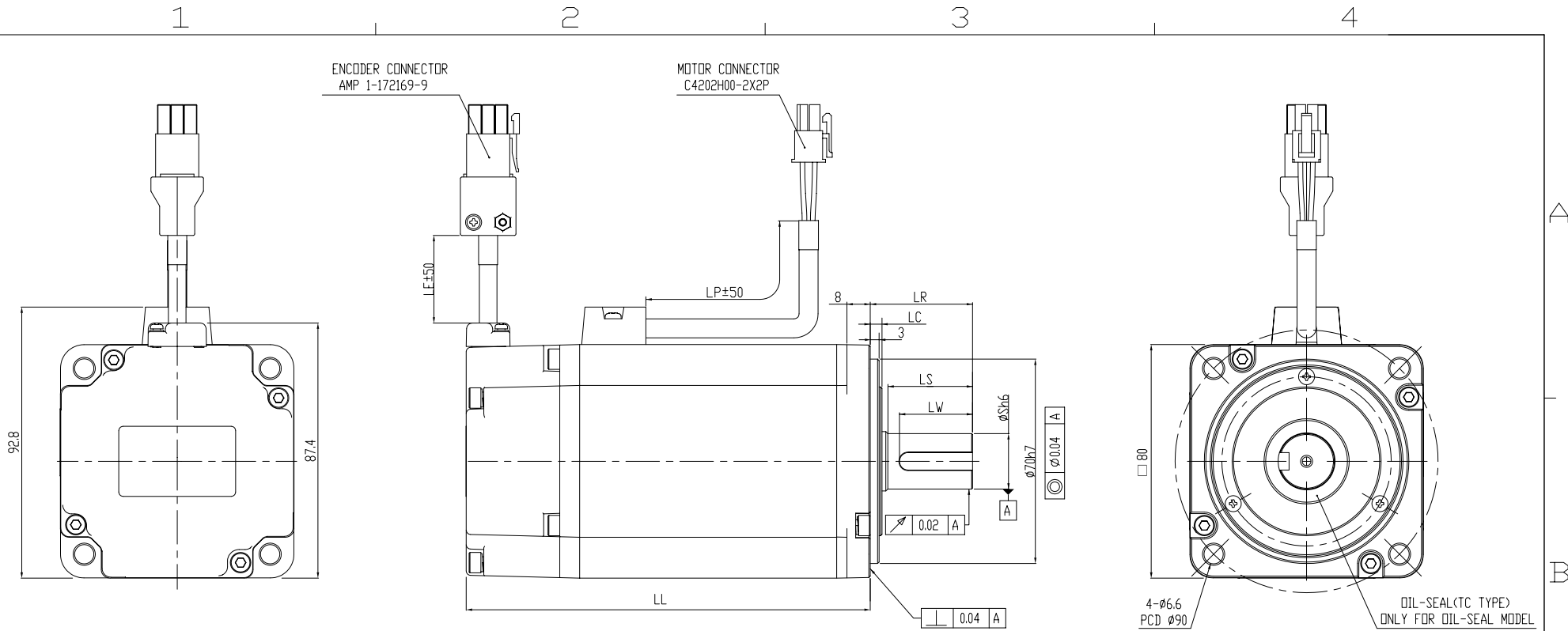
台達電子工業股份有限公司 DELTA ELECTRONICS, INC.	DRAWN:	DESIGN:
	DATE:	ECN NO.:
THESE DRAWINGS AND SPECIFICATIONS ARE THE PROPERTY OF DELTA ELECTRONICS, INC. AND SHALL NOT BE REPRODUCED OR USED AS THE BASIS FOR THE MANUFACTURE OR SELL OF APPARATUS OR DEVICES WITHOUT PERMISSION.	DIMENSIONAL TOLERANCES () () () ANGLES DECIMALS 0-4 ±0.05 <50 ±0.1 <50 ±0.5 <30° ±0.1° X ±0.3 4-16 ±0.08 >50-100 ±0.15 >50-100 ±1.0 >30° ±0.3° X.X ±0.2 16-63 ±0.12 >100-200 ±0.2 >100-200 ±1.5 >60°-90° ±0.5° X.XX ±0.1 63-200 ±0.2 >200~ ±0.2% >200~ ±0.3%	
DRAWING NAME: MOTOR_F60	A3 SIZE THIRD ANGLE PROJECTION	PART NO.:
USED ON	UNIT mm	SHEET 1 OF 1

1

2

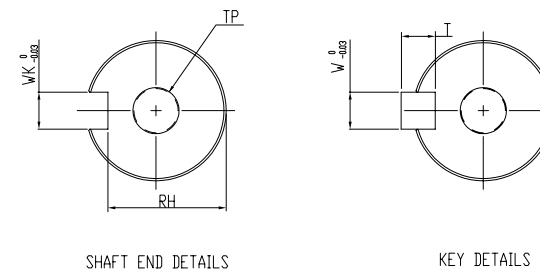
3

4



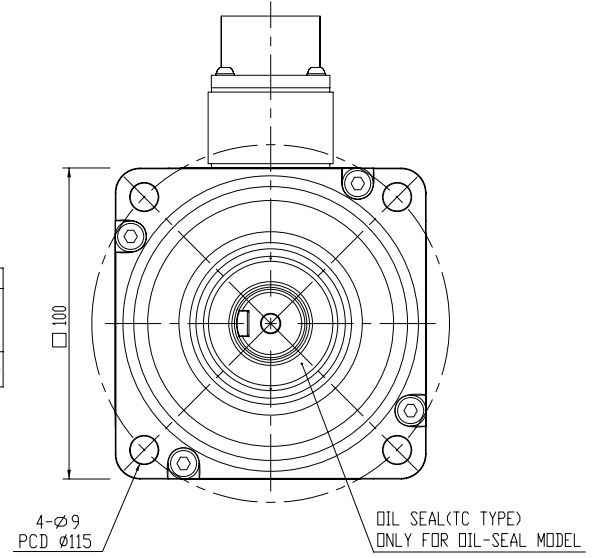
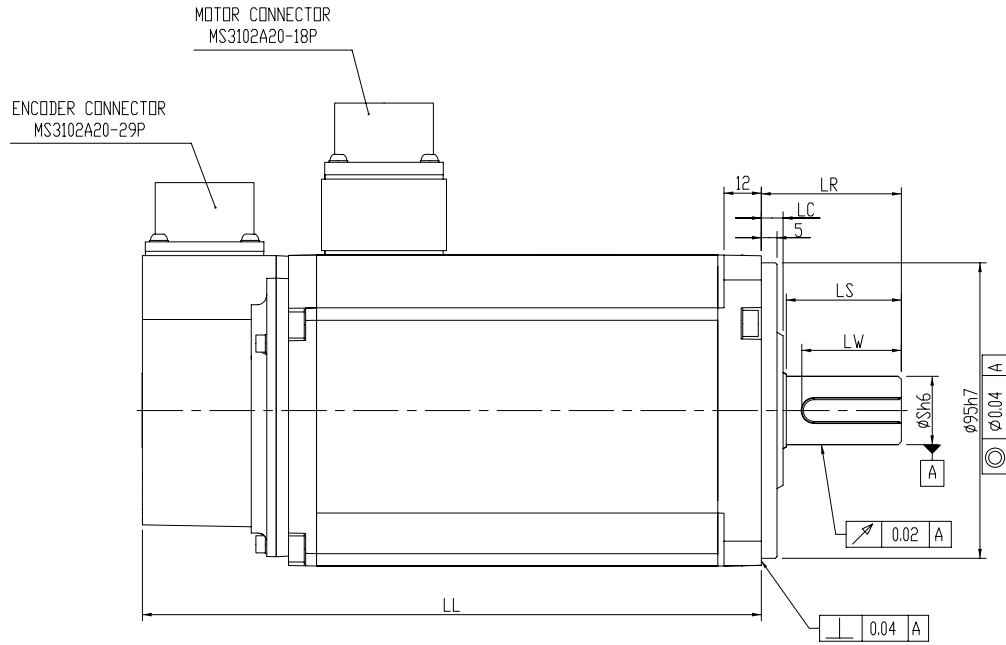
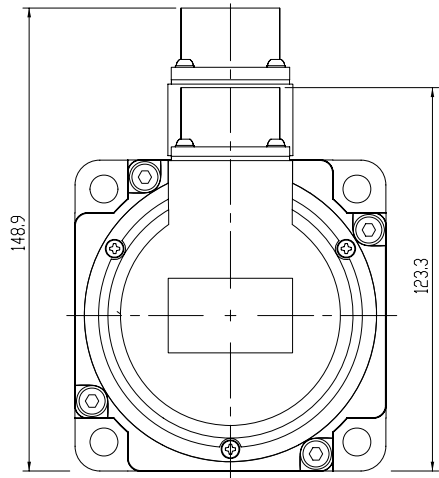
DIMENSION TABLE(MODEL WITHOUT BRAKE)

MODEL	LL	LR	LS	LC	S	LW	WK	W	T	RH	TP	LP	LE
ECMA-C□0804A7	112.3	30	27.0	—	14	—	—	—	—	—	M4, Depth 15	300	300
ECMA-C□0804C7			24.5	4									
ECMA-C□0804E7			27.0	—									
ECMA-C□0804G7			24.5	4									
ECMA-C□0807AS	138.3	35	32.0	—	19	—	—	—	—	—	M6, Depth 20	300	300
ECMA-C□0807CS			29.5	4									
ECMA-C□0807ES			32.0	—									
ECMA-C□0807GS			29.5	4									
ECMA-C□0807PS			32.0	—									



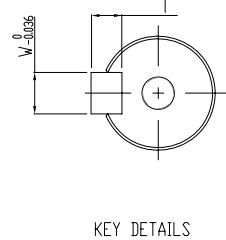
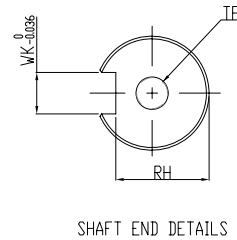
北京微度科技发展有限公司 <http://www.wedotech.cn/>

台達電子工業股份有限公司 DELTA ELECTRONICS, INC.	DRAWN:	DESIGN:
	DATE:	ECN NO.:
THESE DRAWINGS AND SPECIFICATIONS ARE THE PROPERTY OF DELTA ELECTRONICS, INC. AND SHALL NOT BE REPRODUCED OR USED AS THE BASIS FOR THE MANUFACTURE OR SELL OF APPARATUS OR DEVICES WITHOUT PERMISSION.		
DIMENSIONAL TOLERANCES () () () () ANGLES DECIMALS 0-4 ±0.05 <50 ±0.1 <50 ±0.5 <30° ±0.1° X ±0.3 4-16 ±0.08 >50-100 ±0.15 >50-100 ±1.0 >30°-60° ±0.3° X.X ±0.2 16-63 ±0.12 >100-200 ±0.2 >100-200 ±1.5 >60°-90° ±0.5° X.XX ±0.1 63-200 ±0.2 >200 ±0.2% >200° ±0.3%		
DRAWING NAME: MOTOR_F80	PART NO.:	REV: 00
USED ON:	UNIT mm SCALE:	SHEET 1 OF 1



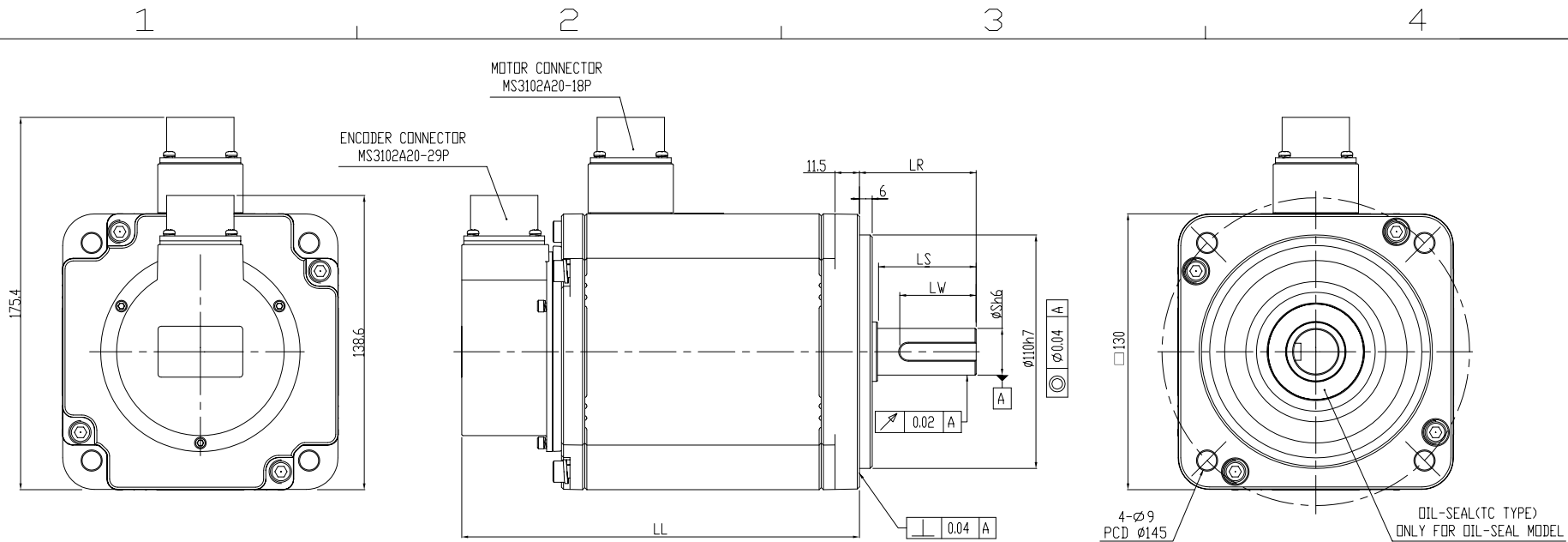
DIMENSION TABLE (MODEL WITHOUT BRAKE)

MODEL	LL	LR	LS	LC	S	LW	WK	W	T	RH	TP	LP	LE
ECMA-C□1010AS	153.25	45	37.0	7	22	—	—	—	—	—	M6, Depth 20	300	300
ECMA-C□1010CS						—	—	—	—	—	—		
ECMA-C□1010ES						—	—	—	—	—	—		
ECMA-C□1010GS						32	8	8	7	18	—		
ECMA-C□1020AS	199	45	37.0	7	22	—	—	—	—	—	M6, Depth 20	300	300
ECMA-C□1020CS						—	—	—	—	—	—		
ECMA-C□1020ES						—	—	—	—	—	—		
ECMA-C□1020GS						32	8	8	7	18	—		



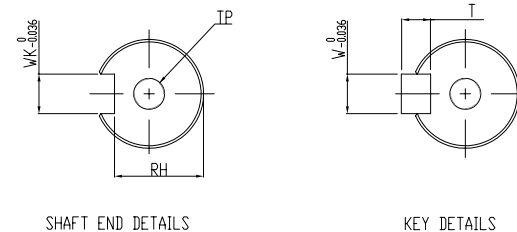
北京微度科技发展有限公司 <http://www.wedotech.cn/>

台達電子工業股份有限公司 DELTA ELECTRONICS, INC.	DRAWN:	DESIGN:
	DATE:	ECN NO.:
THESE DRAWINGS AND SPECIFICATIONS ARE THE PROPERTY OF DELTA ELECTRONICS, INC. AND SHALL NOT BE REPRODUCED OR USED AS THE BASIS FOR THE MANUFACTURE OR SELL OF APPARATUS OR DEVICES WITHOUT PERMISSION.	DIMENSIONAL TOLERANCES () () () ANGLES DECIMALS 0-4 ±0.05 <50 ±0.1 <50 ±0.5 <30° ±0.1° X ±0.3 4-16 ±0.08 >50-100 ±0.15 >50-100 ±1.0 >30°-60° ±0.3° X.X ±0.2 16-63 ±0.12 >100-200 ±0.2 >100-200 ±1.5 >60°-90° ±0.5° X.XX ±0.1 63-200 ±0.2 >200~ ±0.2% >200~ ±0.3%	
	DRAWING NAME: MOTOR_F100	A3 PART NO.: THIRD ANGLE PROJECTION
USED ON	UNIT mm	SHEET 1 OF 1



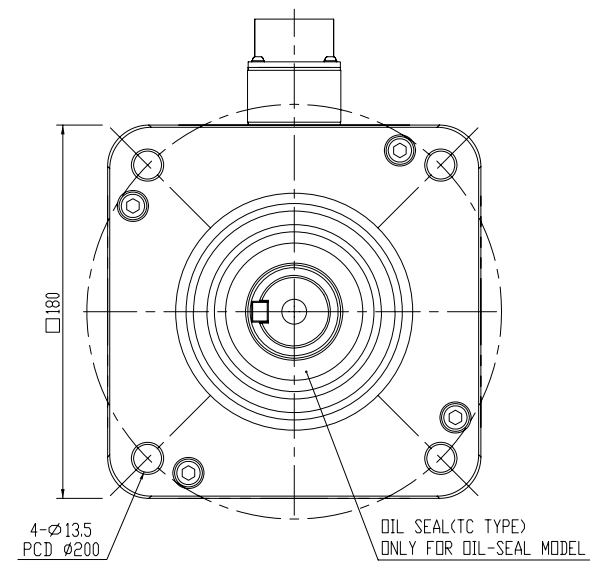
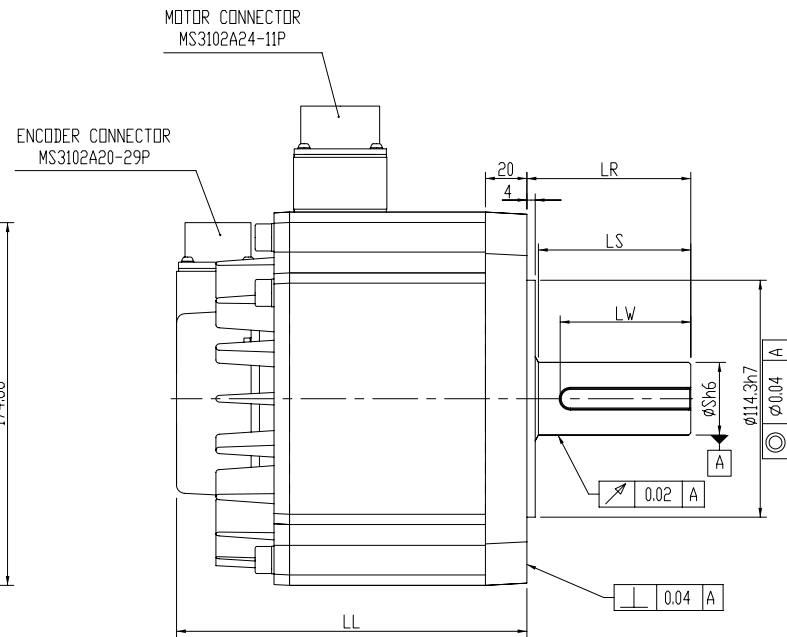
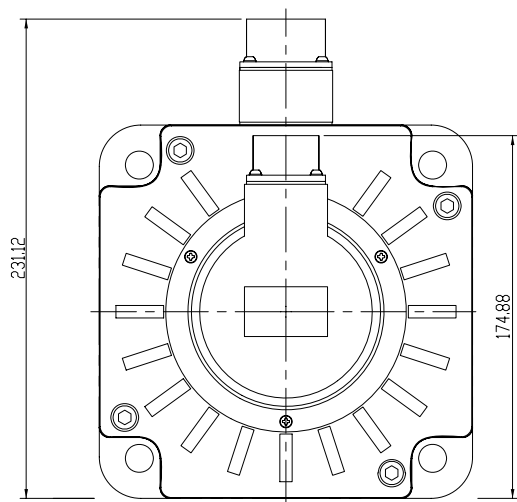
DIMENSION TABLE (MODEL WITHOUT BRAKE)

MODEL	LL	LR	LS	S	LW	WK	W	T	RH	TP
ECMA-G□1303AS	147.5	55	47	22	---	---	---	---	---	M6, Depth 20
ECMA-G□1303CS					36	8	8	7	18	---
ECMA-G□1303ES					---	---	---	---	---	M6, Depth 20
ECMA-G□1303GS					36	8	8	7	18	---
ECMA-E□1305AS					---	---	---	---	---	M6, Depth 20
ECMA-E□1305CS					36	8	8	7	18	---
ECMA-E□1305ES	167.5	55	47	22	---	---	---	---	---	M6, Depth 20
ECMA-E□1305GS					36	8	8	7	18	---
ECMA-G□1306AS					---	---	---	---	---	M6, Depth 20
ECMA-G□1306CS					36	8	8	7	18	---
ECMA-G□1306ES					---	---	---	---	---	M6, Depth 20
ECMA-G□1306GS					36	8	8	7	18	---
ECMA-G□1309AS	147.5	55	47	22	---	---	---	---	---	M6, Depth 20
ECMA-E□1309CS					36	8	8	7	18	---
ECMA-G□1309ES					---	---	---	---	---	M6, Depth 20
ECMA-G□1309GS					36	8	8	7	18	---
ECMA-E□1310AS					---	---	---	---	---	M6, Depth 20
ECMA-E□1310CS					36	8	8	7	18	---
ECMA-E□1310ES	167.5	55	47	22	---	---	---	---	---	M6, Depth 20
ECMA-E□1310GS					36	8	8	7	18	---
ECMA-E□1315AS					---	---	---	---	---	M6, Depth 20
ECMA-E□1315CS					36	8	8	7	18	---
ECMA-E□1315ES					---	---	---	---	---	M6, Depth 20
ECMA-E□1315GS					36	8	8	7	18	---
ECMA-E□1320AS	187.5	55	47	22	---	---	---	---	---	M6, Depth 20
ECMA-E□1320CS					36	8	8	7	18	---
ECMA-E□1320ES					---	---	---	---	---	M6, Depth 20
ECMA-E□1320GS	36	8	8	7	18	---				



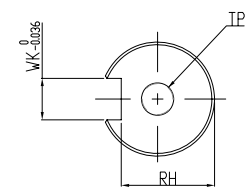
北京微度科技发展有限公司 <http://www.wedotech.cn/>

台達電子工業股份有限公司 DELTA ELECTRONICS, INC.	DRAWN:	DESIGN:
	DATE:	ECN NO.:
THESE DRAWINGS AND SPECIFICATIONS ARE THE PROPERTY OF DELTA ELECTRONICS, INC. AND SHALL NOT BE REPRODUCED OR USED AS THE BASIS FOR THE MANUFACTURE OR SELL OF APPARATUS OR DEVICES WITHOUT PERMISSION.		
DIMENSIONAL TOLERANCES () () () () ANGLES DECIMALS 0-4 ±0.05 >50 ±0.1 <50 ±0.5 <30° ±0.1° X ±0.3 4-16 ±0.08 >50-100 ±0.15 >100-200 ±1.0 >30°-60° ±0.3° X.X ±0.2 16-63 ±0.12 >100-200 ±0.2 >100-200 ±1.5 >60°-90° ±0.5° X.XX ±0.1 63-200 ±0.2 >200 ±0.2 >200° ±0.3°		
DRAWING NAME:	A3	PART NO.:
MOTOR_F130	SIZE	THIRD ANGLE PROJECTION
USED ON:	UNIT	SCALE
	mm	SHEET 1 OF 1

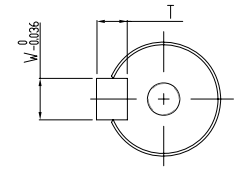


DIMENSION TABLE (MODEL WITHOUT BRAKE)

MODEL	LL	LR	LS	S	LW	WK	W	T	RH	TP
ECMA-E□1820AS	169				---	---	---	---	---	M12, Depth 25
ECMA-E□1820CS					63	10	10	8	30	
ECMA-E□1820PS					63	10	10	8	30	
ECMA-E□1820RS					63	10	10	8	30	
ECMA-F□1830AS	202.1	79	73	35	---	---	---	---		
ECMA-F□1830CS					63	10	10	8	30	
ECMA-F□1830PS					63	10	10	8	30	
ECMA-F□1830RS					63	10	10	8	30	
ECMA-E□1835AS	235.3				---	---	---	---		
ECMA-E□1835CS					63	10	10	8	30	
ECMA-E□1835PS					63	10	10	8	30	
ECMA-E□1835RS					63	10	10	8	30	
ECMA-F□1845AS	235.3				---	---	---	---		
ECMA-F□1845CS					63	10	10	8	30	
ECMA-F□1845PS					63	10	10	8	30	
ECMA-F□1845RS	63	10	10	8	30					



SHAFT END DETAILS



KEY DETAILS

北京微度科技发展有限公司 <http://www.wedotech.cn/>

台達電子工業股份有限公司 DELTA ELECTRONICS, INC.	DRAWN:	DESIGN:
	DATE:	ECN NO.:
THESE DRAWINGS AND SPECIFICATIONS ARE THE PROPERTY OF DELTA ELECTRONICS, INC. AND SHALL NOT BE REPRODUCED OR USED AS THE BASIS FOR THE MANUFACTURE OR SELL OF APPARATUS OR DEVICES WITHOUT PERMISSION.	DIMENSIONAL TOLERANCES () () () ANGLES DECIMALS 0~4 ±0.05 <50 ±0.1 <50 ±0.5 <30° ±0.1° X ±0.3 4~16 ±0.08 >50~100 ±0.15 >100~200 ±0.2 >200~400 ±0.3 X.X ±0.2 16~63 ±0.12 >100~200 ±0.2 >100~200 ±1.5 >60°~90° ±0.5° X.XX ±0.1 63~200 ±0.2 >200~ ±0.2% >200~ ±0.3%	
DRAWING NAME: MOTOR_F180_1.5~4.5KW	A3 SIZE THIRD ANGLE PROJECTION	PART NO.:
USED ON	UNIT mm	SCALE
		SHEET 1 OF 1

1

2

3

4

A

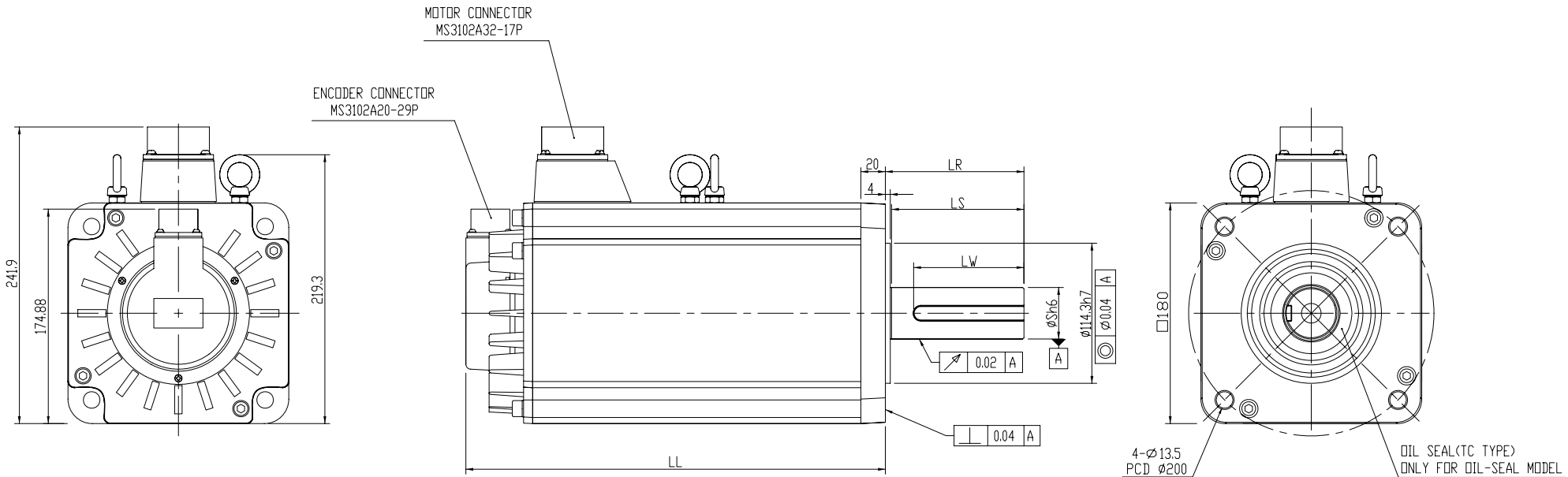
A

B

B

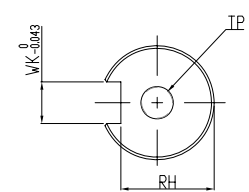
C

C

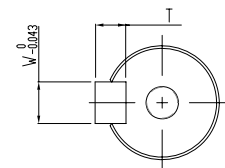


DIMENSION TABLE (MODEL WITHOUT BRAKE)

MODEL	LL	LR	LS	S	LW	WK	W	T	RH	TP
ECMA-F□1855A3	279.7	113	108.5	42	---	---	---	---	---	M16, Depth 32
ECMA-F□1855C3					90	12	12	8	37	
ECMA-F□1855P3	342				---	---	---	---		
ECMA-F□1875A3					90	12	12	8	37	
ECMA-F□1875C3										
ECMA-F□1855P3										



SHAFT END DETAILS



KEY DETAILS

北京微度科技发展有限公司 <http://www.wedotech.cn/>

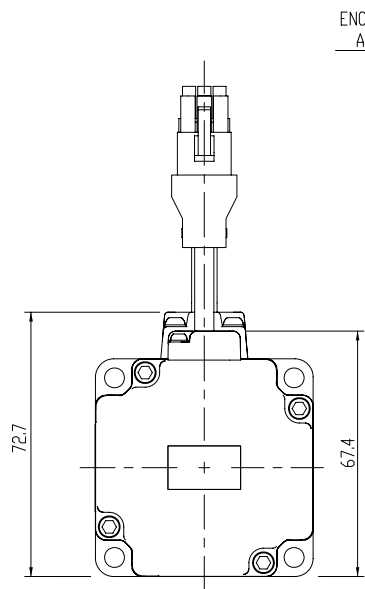
台達電子工業股份有限公司 DELTA ELECTRONICS, INC.	DRAWN:	DESIGN:
	DATE:	ECN NO.:
THESE DRAWINGS AND SPECIFICATIONS ARE THE PROPERTY OF DELTA ELECTRONICS, INC. AND SHALL NOT BE REPRODUCED OR USED AS THE BASIS FOR THE MANUFACTURE OR SELL OF APPARATUS OR DEVICES WITHOUT PERMISSION.	DIMENSIONAL TOLERANCES () () () ANGLES DECIMALS 0~4 ± 0.05 <50 ± 0.1 <50 ± 0.5 <30° ± 0.1 X ± 0.3 4~16 ± 0.08 >50~100 ± 0.15 >50~100 ± 1.0 >30°~60° ± 0.3 X.X ± 0.2 16~63 ± 0.12 >100~200 ± 0.2 >100~200 ± 1.5 >60°~90° ± 0.5 X.XX ± 0.1 63~200 ± 0.2 >200~ ± 0.2 >200~ ± 0.2 >200~ ± 0.3	
DRAWING NAME: MOTOR_F180_5.5~7.5KW	A3 SIZE THIRD ANGLE PROJECTION	PART NO.:
USED ON	UNIT mm	SCALE
		SHEET 1 OF 1

1

2

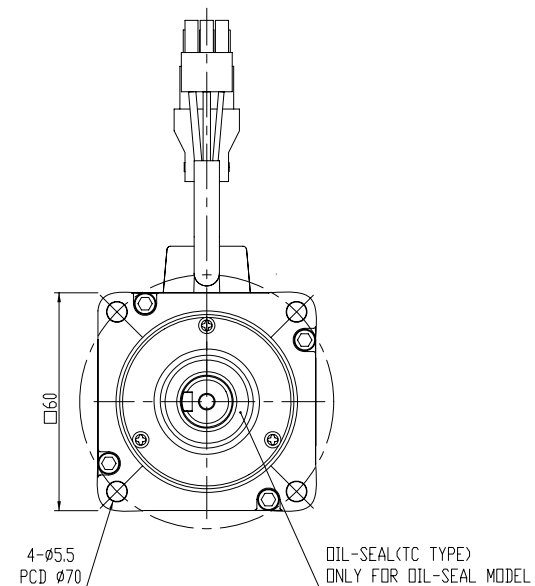
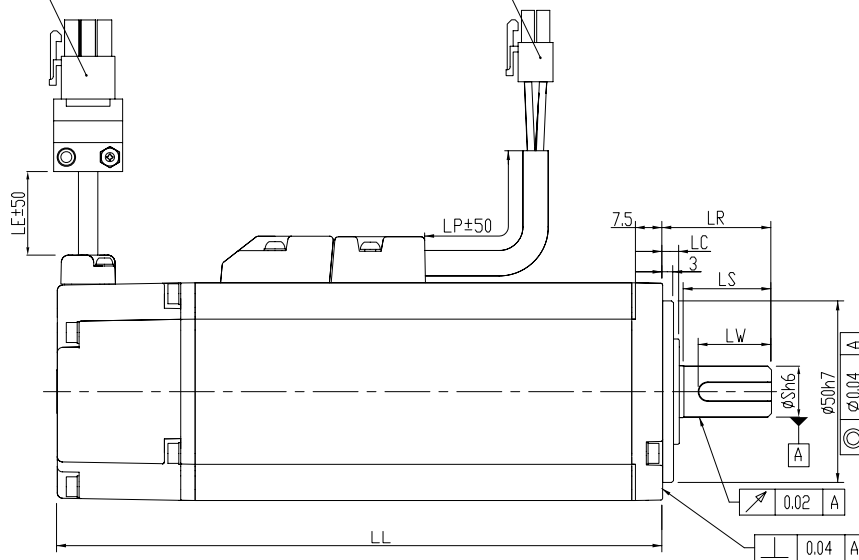
3

4



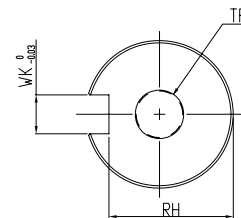
ENCODER CONNECTOR
AMP 1-172169-9

MOTOR CONNECTOR
C4202H00-2X3P

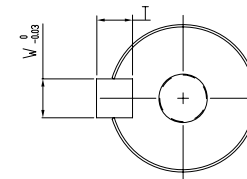


DIMENSION TABLE (MODEL WITH BRAKE)

MODEL	LL	LR	LS	LC	S	LW	WK	W	T	RH	TP	LP	LE
ECMA-C□0602BS	141.6	30	27.0	—	14	20	5	5	5	11.0	M4, Depth 15	300	300
ECMA-C□0602DS			24.0	4.6									
ECMA-C□0602FS			27.0	—									
ECMA-C□0602HS			24.0	4.6									
ECMA-C□0604BS	166.8	30	27.0	—	14	20	5	5	5	11.0	M4, Depth 15	300	300
ECMA-C□0604DS			24.0	4.6									
ECMA-C□0604FS			27.0	—									
ECMA-C□0604HS			24.0	4.6									



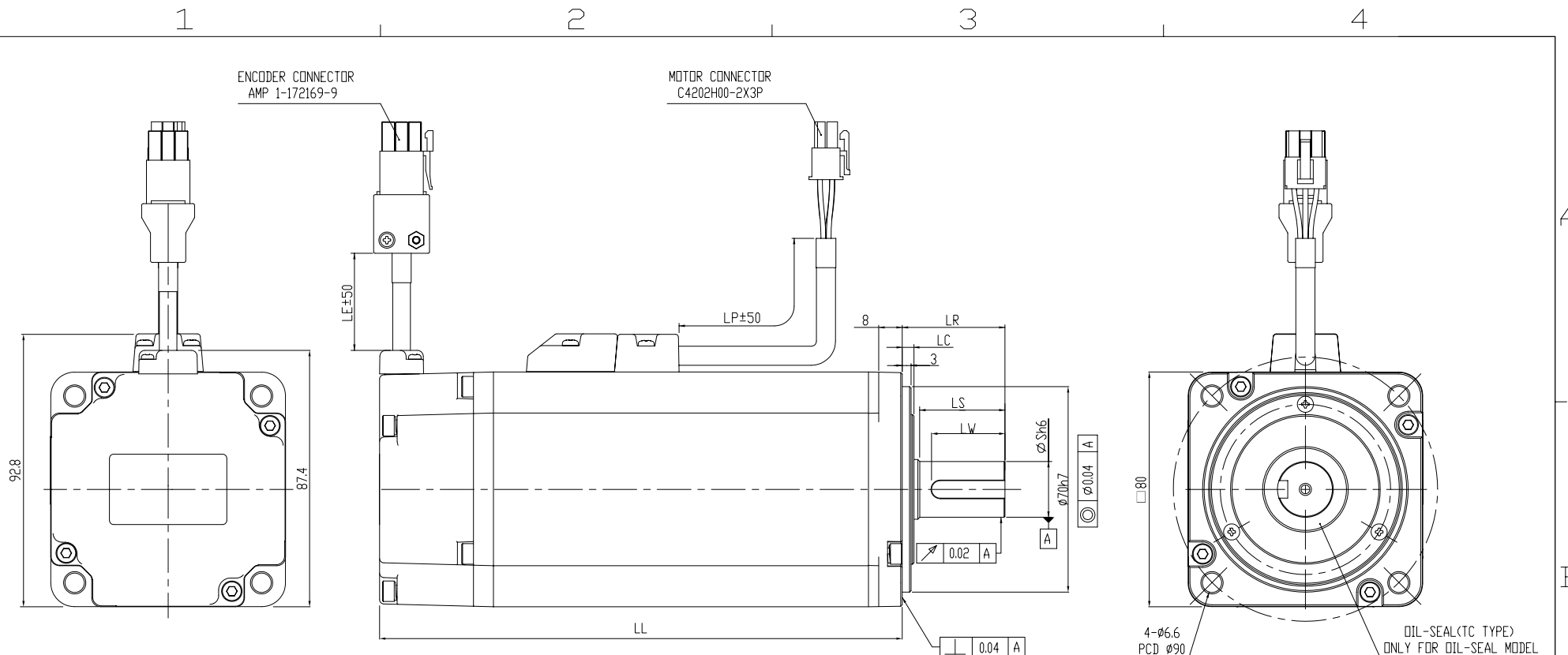
SHAFT END DETAILS



KEY DETAILS

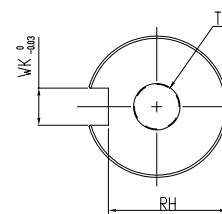
北京微度科技发展有限公司 <http://www.wedotech.cn/>

台達電子工業股份有限公司 DELTA ELECTRONICS, INC.	DRAWN:	DESIGN:
	DATE:	ECN NO.:
THESE DRAWINGS AND SPECIFICATIONS ARE THE PROPERTY OF DELTA ELECTRONICS, INC. AND SHALL NOT BE REPRODUCED OR USED AS THE BASIS FOR THE MANUFACTURE OR SELL OF APPARATUS OR DEVICES WITHOUT PERMISSION.	DIMENSIONAL TOLERANCES () () () ANGLES DECIMALS 0-4 ±0.05 <50 ±0.1 <50 ±0.5 <30° ±0.1° X ±0.3 4-16 ±0.08 >50-100 ±0.15 >100-200 ±0.2 >200-400 ±0.3 X.X ±0.2 16-63 ±0.12 >100-200 ±0.2 >200-400 ±0.3 X.XX ±0.1 63-200 ±0.2 >200 ±0.2 >200 ±0.3	
	DRAWING NAME: MOTOR_F60_BRAKE	A3 PART NO.:
USED ON	UNIT mm	SHEET 1 OF 1

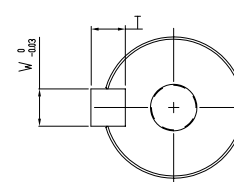


DIMENSION TABLE (MODEL WITH BRAKE)

MODEL	LL	LR	LS	LC	S	LW	WK	W	T	RH	TP	LP	LE
ECMA-C□0804B7	152.8	30.0	27.0	—	14	—	—	—	—	—	M4, Depth 15	300	300
ECMA-C□0804D7			24.5	4		—	—	—	—	—			
ECMA-C□0804F7			27.0	—		—	—	—	—	—			
ECMA-C□0804H7			24.5	4		—	—	—	—	—			
ECMA-C□0807BS	178.0	35.0	32.0	—	19	—	—	—	—	—	M6, Depth 20	300	300
ECMA-C□0807DS			29.5	4		—	—	—	—	—			
ECMA-C□0807FS			32.0	—		—	—	—	—	—			
ECMA-C□0807HS			29.5	4		—	—	—	—	—			



SHAFT END DETAILS



KEY DETAILS

北京微度科技发展有限公司 <http://www.wedotech.cn/>

台達電子工業股份有限公司 DELTA ELECTRONICS, INC.	DRAWN:	DESIGN:
	DATE:	ECN NO.:
THESE DRAWINGS AND SPECIFICATIONS ARE THE PROPERTY OF DELTA ELECTRONICS, INC. AND SHALL NOT BE REPRODUCED OR USED AS THE BASIS FOR THE MANUFACTURE OR SELL OF APPARATUS OR DEVICES WITHOUT PERMISSION.		
DIMENSIONAL TOLERANCES () () () () ANGLES DECIMALS 0-4 ±0.05 <50 ±0.1 <50 ±0.5 <30° ±0.1° X ±0.3 4-16 ±0.08 >50-100 ±0.15 >100-200 ±1.0 >30°-60° ±0.3° X.X ±0.2 16-63 ±0.12 >100-200 ±0.2 >100-200 ±1.5 >60°-90° ±0.5° X.XX ±0.1 63-200 ±0.2 >200 ±0.2% >200 ±0.3%		
DRAWING NAME: MOTOR_F80_BRAKE	A3 SIZE THIRD ANGLE PROJECTION	PART NO.:
USED ON:	UNIT mm	SCALE
		SHEET 1 OF 1
		REV. 00

1

2

3

4

A

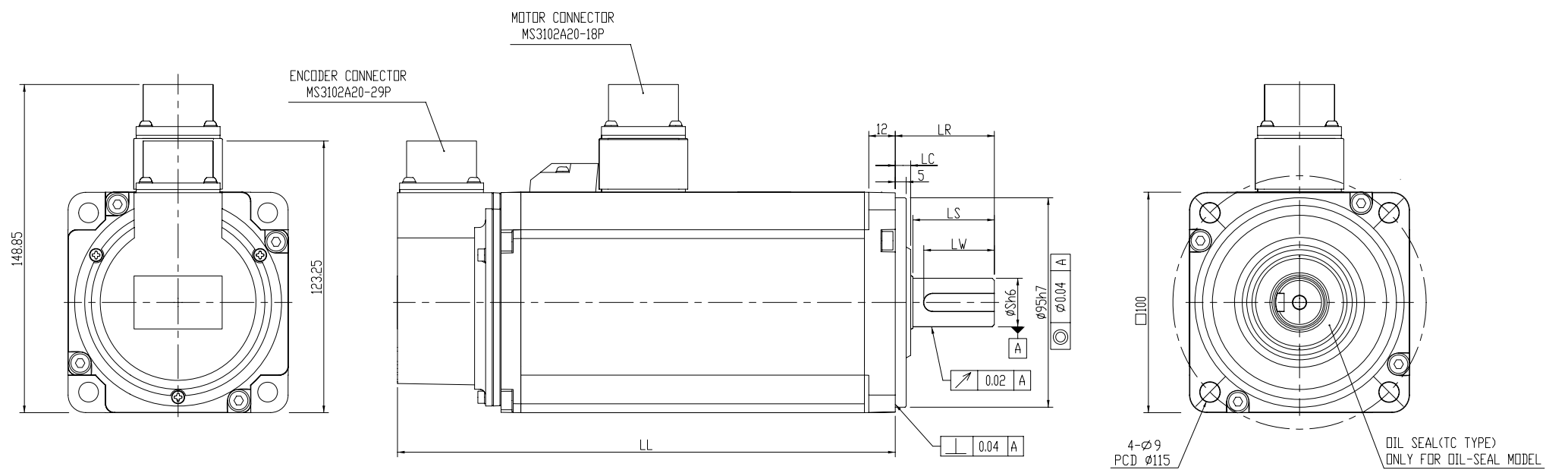
A

B

B

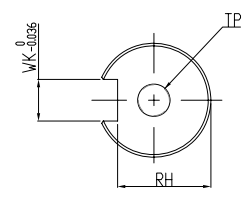
C

C

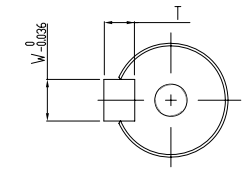


DIMENSION TABLE (MODEL WITH BRAKE)

MODEL	LL	LR	LS	LC	S	LW	WK	W	T	RH	TP	LP	LE
ECMA-C□1010BS	192.5	45	37.0	7	22	—	—	—	—	—	M6, Depth 20	300	300
ECMA-C□1010DS						32	8	8	7	18	—		
ECMA-C□1010FS						—	—	—	—	—	—		
ECMA-C□1010HS	226	45	37.0	7	22	—	—	—	—	—	M6, Depth 20	300	300
ECMA-C□1020BS						32	8	8	7	18	—		
ECMA-C□1020DS						—	—	—	—	—	—		
ECMA-C□1020FS	—	—	—	—	—	—	—	—	—	—	—	—	—
ECMA-C□1020HS	—	—	—	—	—	—	—	—	—	—	—	—	—



SHAFT END DETAILS



KEY DETAILS

北京微度科技发展有限公司 <http://www.wedotech.cn/>

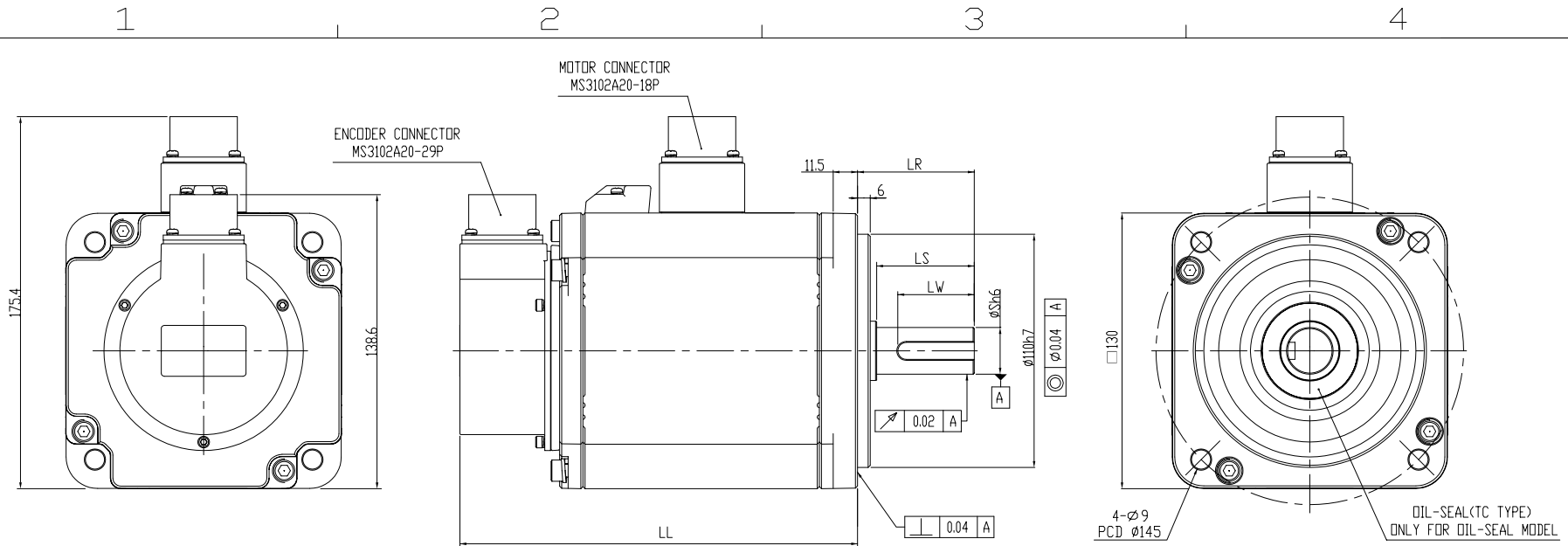
台達電子工業股份有限公司 DELTA ELECTRONICS, INC.	DRAWN:	DESIGN:
	DATE:	ECN NO.:
THESE DRAWINGS AND SPECIFICATIONS ARE THE PROPERTY OF DELTA ELECTRONICS, INC. AND SHALL NOT BE REPRODUCED OR USED AS THE BASIS FOR THE MANUFACTURE OR SELL OF APPARATUS OR DEVICES WITHOUT PERMISSION.	DIMENSIONAL TOLERANCES () () () ANGLES DECIMALS 0~4 ±0.05 <50 ±0.1 <50 ±0.5 <30° ±0.1° X ±0.3 4~16 ±0.08 >50~100 ±0.15 >50~100 ±1.0 >30°~60° ±0.3° X.X ±0.2 16~63 ±0.12 >100~200 ±0.2 >100~200 ±1.5 >60°~90° ±0.5° X.XX ±0.1 63~200 ±0.2 >200~ ±0.2% >200~ ±0.3%	
DRAWING NAME: MOTOR_F100_BRAKE	A3 SIZE THIRD ANGLE PROJECTION	PART NO.:
USED ON	UNIT mm	SHEET 1 OF 1

1

2

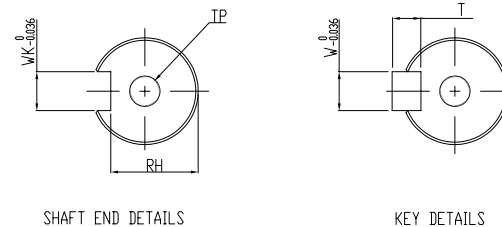
3

4

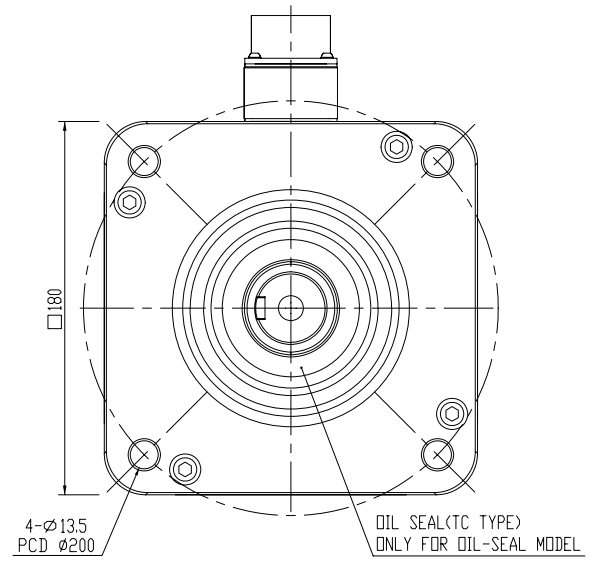
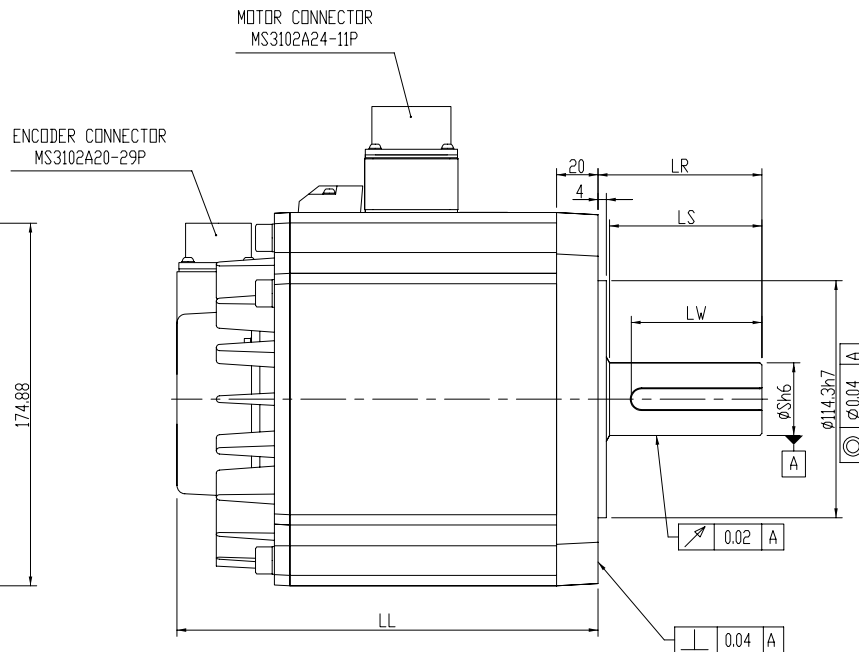
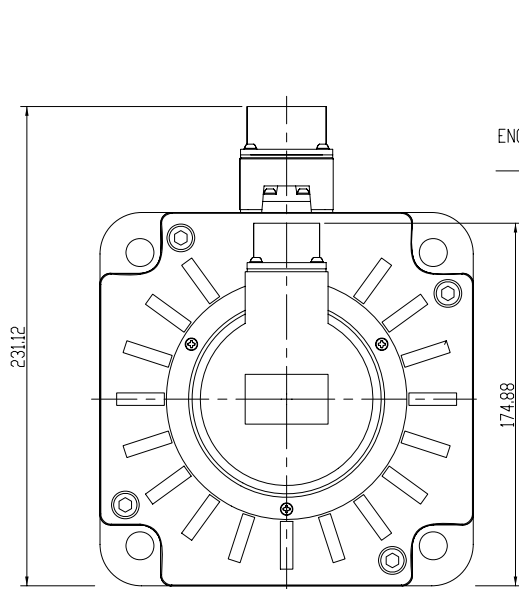


DIMENSION TABLE (MODEL WITH BRAKE)

MODEL	LL	LR	LS	S	LW	WK	W	T	RH	TP				
ECMA-G□1303BS	183.5	55	47	22	---	---	---	---	---	M6, Depth 20				
ECMA-G□1303DS					---	---	---	---	---	---	---	M6, Depth 20		
ECMA-G□1303FS					36	8	8	7	18	---	---	---	---	
ECMA-G□1303HS					---	---	---	---	---	---	---	---	---	---
ECMA-E□1305BS					---	---	---	---	---	---	---	---	---	M6, Depth 20
ECMA-E□1305DS					---	---	---	---	---	---	---	---	---	---
ECMA-E□1305FS					36	8	8	7	18	---	---	---	---	---
ECMA-E□1305HS					---	---	---	---	---	---	---	---	---	---
ECMA-G□1306BS					---	---	---	---	---	---	---	---	---	M6, Depth 20
ECMA-G□1306DS					---	---	---	---	---	---	---	---	---	---
ECMA-G□1306FS	36	8	8	7	18	---	---	---	---	---				
ECMA-G□1306HS	---	---	---	---	---	---	---	---	---	---				
ECMA-E□1309BS	198.0	55	47	22	---	---	---	---	---	M6, Depth 20				
ECMA-E□1309DS					---	---	---	---	---	---	---	---	---	
ECMA-G□1309FS					36	8	8	7	18	---	---	---	---	
ECMA-E□1309HS					---	---	---	---	---	---	---	---	---	---
ECMA-E□1310BS	183.5	55	47	22	---	---	---	---	---	M6, Depth 20				
ECMA-E□1310DS					---	---	---	---	---	---	---	---	---	
ECMA-E□1310FS					36	8	8	7	18	---	---	---	---	
ECMA-E□1310HS					---	---	---	---	---	---	---	---	---	---
ECMA-E□1315BS	202.0	55	47	22	---	---	---	---	---	M6, Depth 20				
ECMA-E□1315DS					---	---	---	---	---	---	---	---	---	
ECMA-E□1315FS					36	8	8	7	18	---	---	---	---	
ECMA-E□1315HS	---	---	---	---	---	---	---	---	---	---				
ECMA-E□1320BS	216.0	55	47	22	---	---	---	---	---	M6, Depth 20				
ECMA-E□1320DS					---	---	---	---	---	---	---	---	---	
ECMA-E□1320FS					36	8	8	7	18	---	---	---	---	
ECMA-E□1320HS	---	---	---	---	---	---	---	---	---	---				

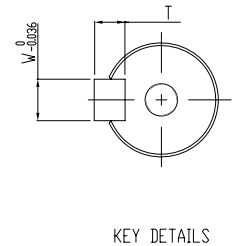
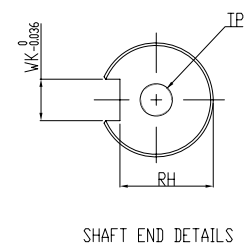


台達電子工業股份有限公司 DELTA ELECTRONICS, INC.		DRAWN:	DESIGN:
DATE:		ECN NO.:	
THESE DRAWINGS AND SPECIFICATIONS ARE THE PROPERTY OF DELTA ELECTRONICS, INC. AND SHALL NOT BE REPRODUCED OR USED AS THE BASIS FOR THE MANUFACTURE OR SELL OF APPARATUS OR DEVICES WITHOUT PERMISSION.		DIMENSIONAL TOLERANCES () () () () ANGLES DECIMALS 0-4 ±0.05 <50 ±0.1 <50 ±0.5 <30° ±0.1° X ±0.3 4-16 ±0.08 >50-100 ±0.15 >100-150 ±1.0 >150-200 ±1.5 >200-300 ±0.3° X.X ±0.2 16-63 ±0.12 >100-200 ±0.2 >100-200 ±1.5 >60°-90° ±0.5° X.XX ±0.1 63-200 ±0.2 >200° ±0.2° >200° ±0.3°	
DRAWING NAME: MOTOR_F130_BRAKE		A3 THIRD ANGLE PROJECTION	PART NO.:
USED ON	UNIT mm	SCALE	SHEET 1 OF 1



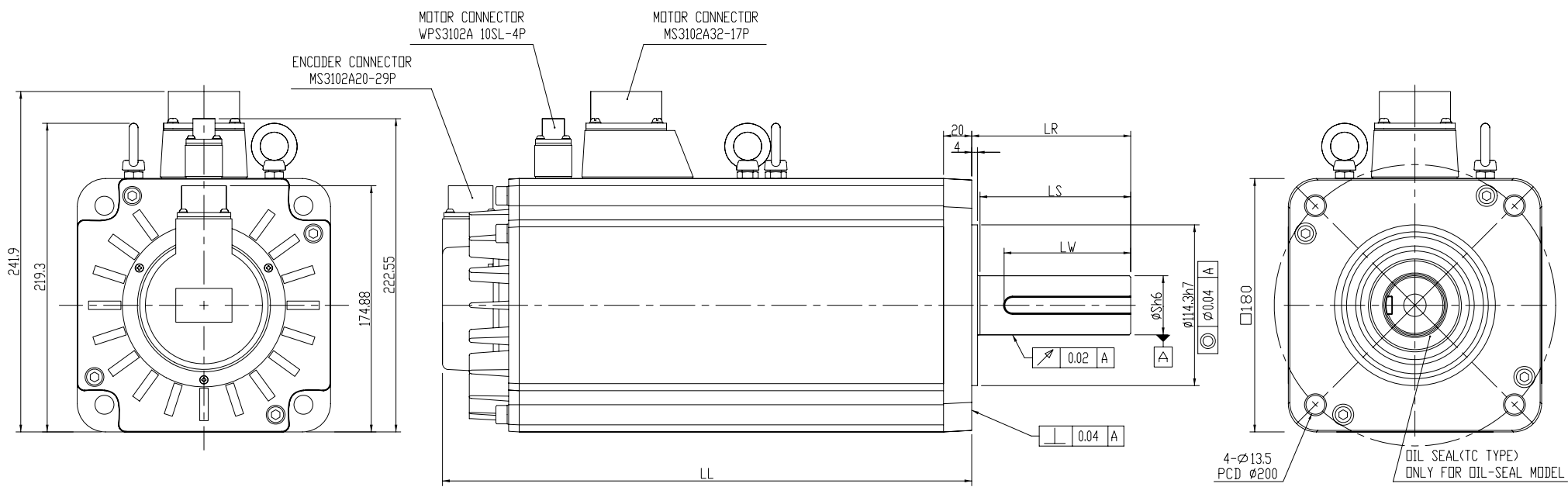
DIMENSION TABLE (MODEL WITH BRAKE)

MODEL	LL	LR	LS	S	LW	WK	W	T	RH	TP	
ECMA-E□1820BS	203.1				---	---	---	---	---	M12, Depth 25	
ECMA-E□1820DS					---	---	---	---	---		---
ECMA-E□1820QS					63	10	10	8	30		
ECMA-E□1820SS					---	---	---	---	---		
ECMA-F□1830BS	235.3	79	73	35	63	10	10	8	30		
ECMA-F□1830DS					---	---	---	---	---		
ECMA-F□1830QS					63	10	10	8	30		
ECMA-F□1830SS					---	---	---	---	---		
ECMA-E□1835BS	279.3				---	---	---	---	---		
ECMA-E□1835DS					---	---	---	---	---		
ECMA-E□1835QS					63	10	10	8	30		
ECMA-E□1835SS					---	---	---	---	---		
ECMA-F□1845BS	279.3				---	---	---	---	---		
ECMA-F□1845DS					---	---	---	---	---		
ECMA-F□1845QS					63	10	10	8	30		
ECMA-F□1845SS											



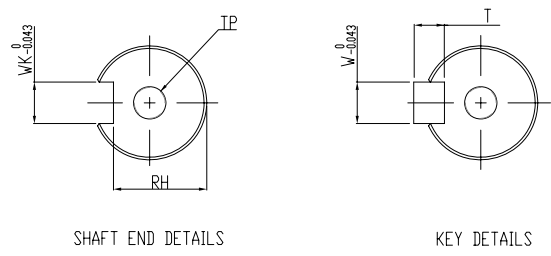
北京微度科技发展有限公司 <http://www.wedotech.cn/>

台達電子工業股份有限公司 DELTA ELECTRONICS, INC.	DRAWN:	DESIGN:
	DATE:	ECN NO.:
THESE DRAWINGS AND SPECIFICATIONS ARE THE PROPERTY OF DELTA ELECTRONICS, INC. AND SHALL NOT BE REPRODUCED OR USED AS THE BASIS FOR THE MANUFACTURE OR SELL OF APPARATUS OR DEVICES WITHOUT PERMISSION.	DIMENSIONAL TOLERANCES () () () ANGLES DECIMALS 0~4 ± 0.05 <50 ± 0.1 <50 ± 0.5 <30° ± 0.1 X ± 0.3 4~16 ± 0.08 >50~100 ± 0.15 >100~200 ± 0.3 >30°~60° ± 0.3 X.X ± 0.2 16~63 ± 0.12 >100~200 ± 0.2 >100~200 ± 1.5 >60°~90° ± 0.5 X.XX ± 0.1 63~200 ± 0.2 >200~ ± 0.2 >200~ ± 0.3	
DRAWING NAME: MOTOR_F180_1.5~4.5KW_BRAKE	A3 SIZE THIRD ANGLE PROJECTION	PART NO.:
USED ON	UNIT mm	SHEET 1 OF 1



DIMENSION TABLE (MODEL WITH BRAKE)

MODEL	LL	LR	LS	S	LW	WK	W	T	RH	TP	
ECMA-F□1855B3	311.7	113	108.5	42	---	---	---	---	---	M16, Depth 32	
ECMA-F□1855D3					90	12	12	8	37		
ECMA-F□1855Q3	376.1	113	108.5	42	---	---	---	---			
ECMA-F□1855S3					90	12	12	8	37		
ECMA-F□1875B3					---	---	---	---	---		---
ECMA-F□1875D3					90	12	12	8	37		
ECMA-F□1875Q3	---	---	---	---	---	---	---				
ECMA-F□1875S3	---	---	---	---	---	---	---	---	---		



北京微度科技发展有限公司 <http://www.wedotech.cn/>

台達電子工業股份有限公司 DELTA ELECTRONICS, INC.	DRAWN:	DESIGN:
	DATE:	ECN NO.:
THESE DRAWINGS AND SPECIFICATIONS ARE THE PROPERTY OF DELTA ELECTRONICS, INC. AND SHALL NOT BE REPRODUCED OR USED AS THE BASIS FOR THE MANUFACTURE OR SELL OF APPARATUS OR DEVICES WITHOUT PERMISSION.	DIMENSIONAL TOLERANCES () () () ANGLES DECIMALS 0~4 +0.05 <50 +0.1 <50 +0.5 <30° +0.1° X +0.3 4~16 +0.08 >50~100 +0.15 >50~100 +1.0 >30°~60° +0.3° X.X +0.2 16~63 +0.12 >100~200 +0.2 >100~200 +1.5 >60°~90° +0.5° X.XX ±0.1 63~200 ±0.2 >200~ ±0.2% >200~ ±0.3%	
DRAWING NAME: MOTOR_F180_5.5~7.5KW_BRAKE	A3 SIZE THIRD ANGLE PROJECTION	PART NO.:
USED ON	UNIT mm	SCALE
		SHEET 1 OF 1